

# TECHNICAL DATA SHEET

DATE UPDATED:  
9/28/2018

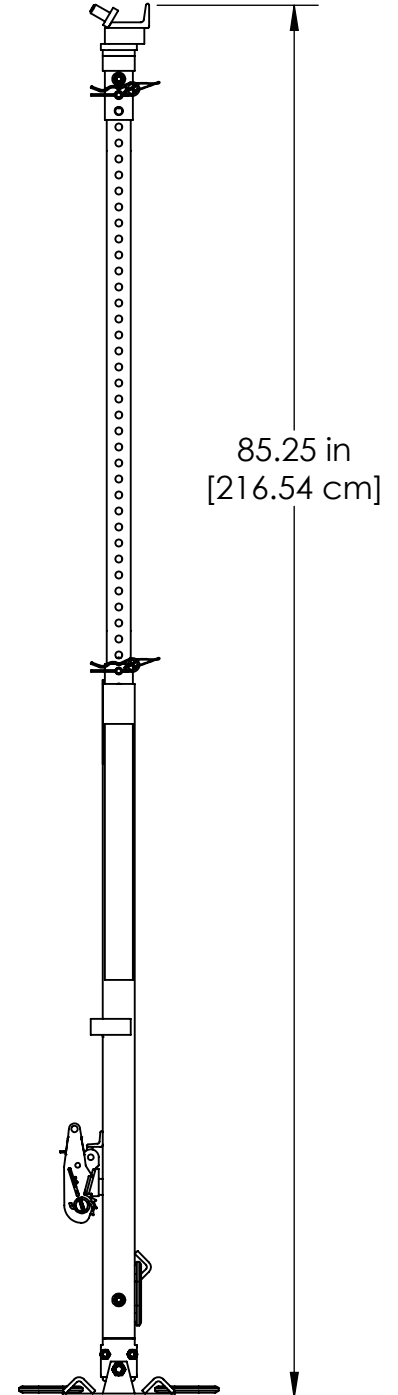
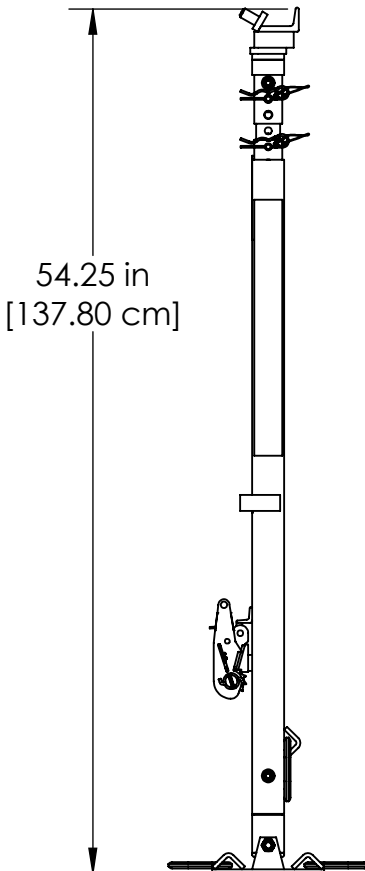
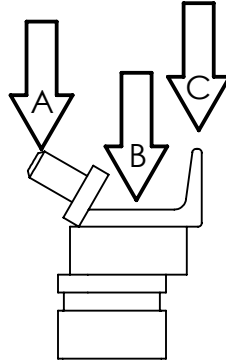
REV:  
A



TITLE:  
LONG GREEN LITE STRUT

PART NO.  
GLX-STRT

LOAD RATING (2:1 SAFETY FACTOR)			
LOCATION		WLL (lbs)	WLL (kgs)
A	ROUND POINT	2,100	952
B	COLUMN	2,500	1,133
C	CHAIN GRAB	1,900	861



STRUT WEIGHT: 29 lbs/13.15 kg

# TECHNICAL DATA SHEET

DATE UPDATED:  
9/28/2018

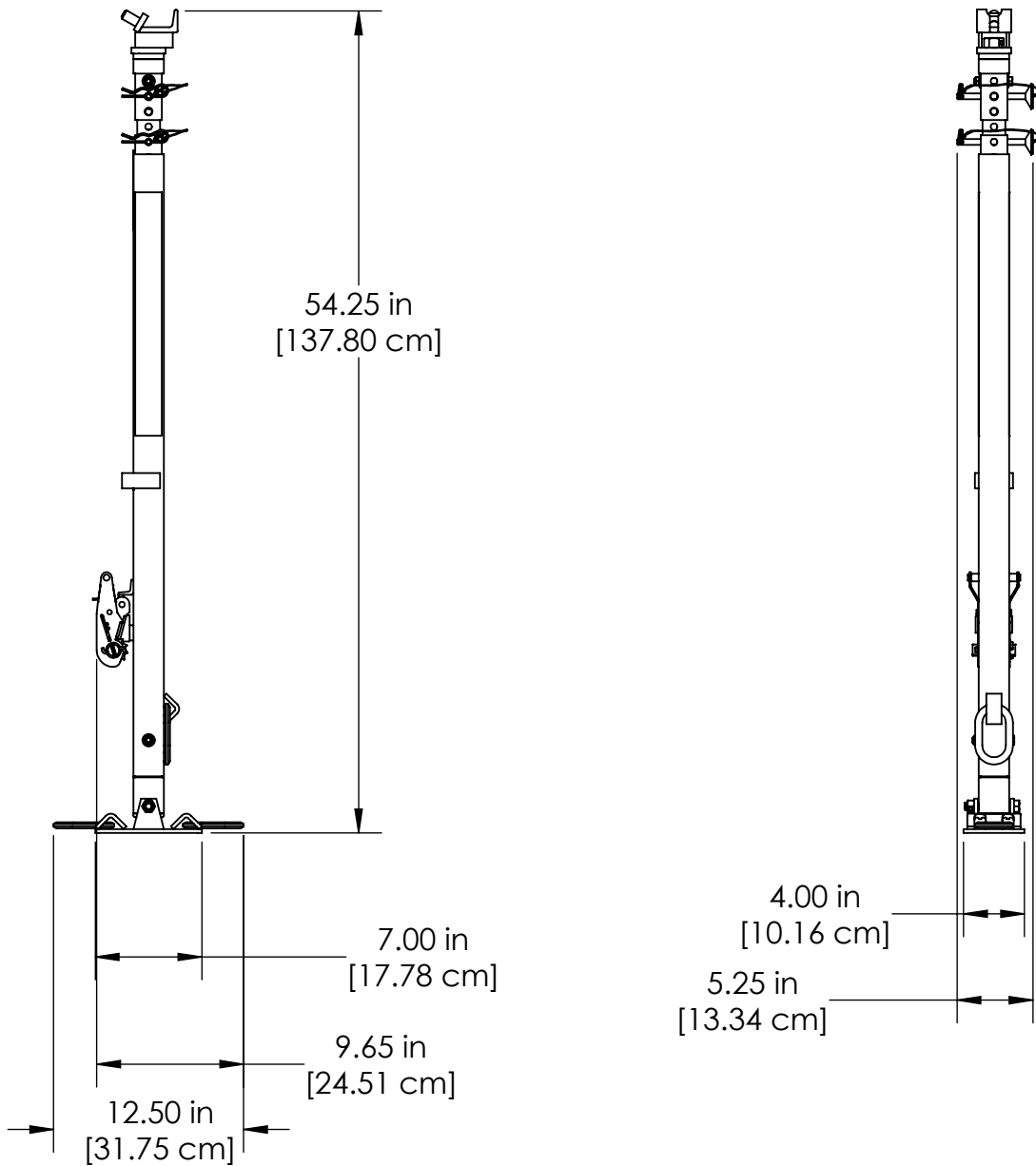
REV:  
A



TITLE:  
LONG GREEN LITE STRUT

PART NO.  
GLX-STRT

## STORAGE



# TECHNICAL DATA SHEET

DATE UPDATED:  
9/28/2018

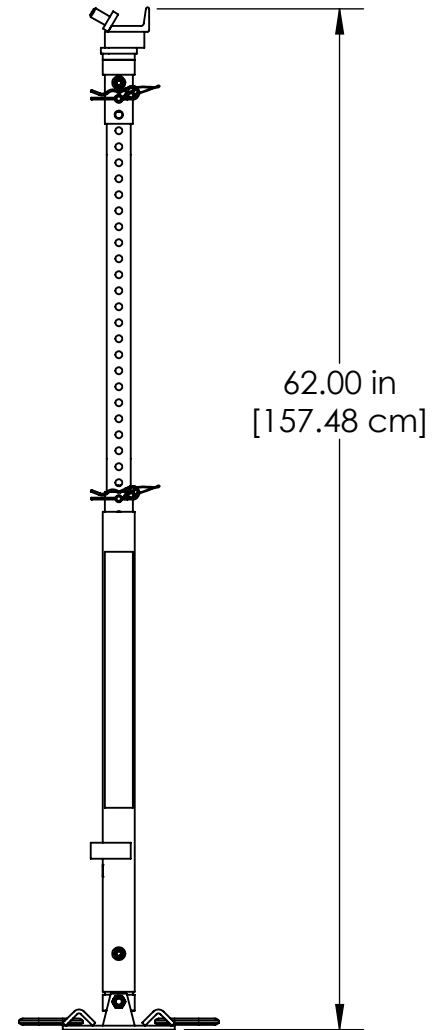
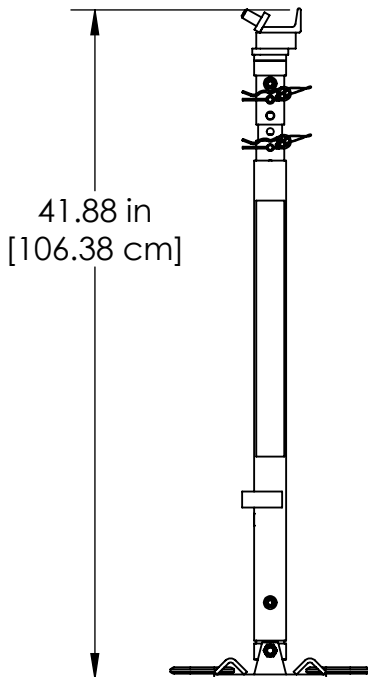
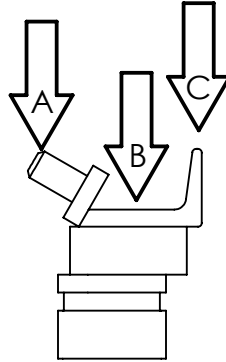
REV:  
A



TITLE:  
SHORT GREEN LITE STRUT

PART NO.  
SGL-STRT

LOAD RATING (2:1 SAFETY FACTOR)			
LOCATION		WLL (lbs)	WLL (kgs)
A	ROUND POINT	2,100	952
B	COLUMN	2,500	1,133
C	CHAIN GRAB	1,900	861



STRUT WEIGHT: 22 lbs/9.98 kg

# TECHNICAL DATA SHEET

DATE UPDATED:  
9/28/2018

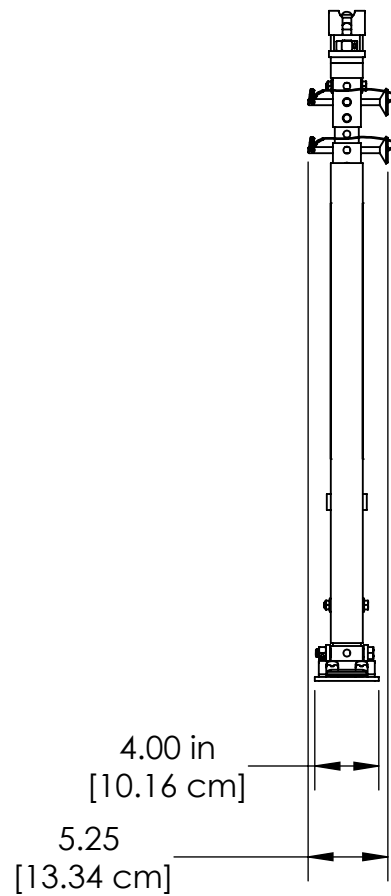
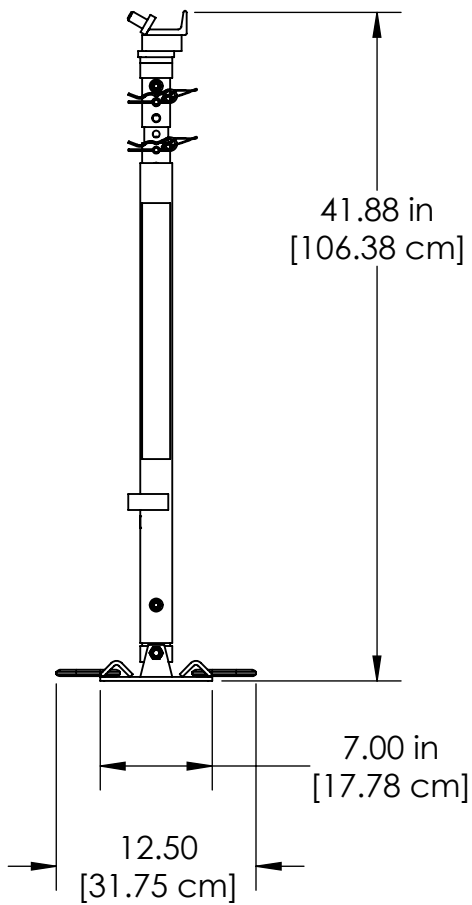
REV:  
A



TITLE:  
SHORT GREEN LITE STRUT

PART NO.  
SGL-STRT

## STORAGE



# TECHNICAL DATA SHEET

DATE UPDATED:  
10/3/2018

REV:  
A



TITLE:  
GREEN LITE JACK

PART NO.  
GLX-JACK

LIFTING WLL: 2,500 LBS/1,133.98 KGS  
TRAVEL: 12 IN/30.48 CM  
WEIGHT: 12 LBS/5.44 KGS

